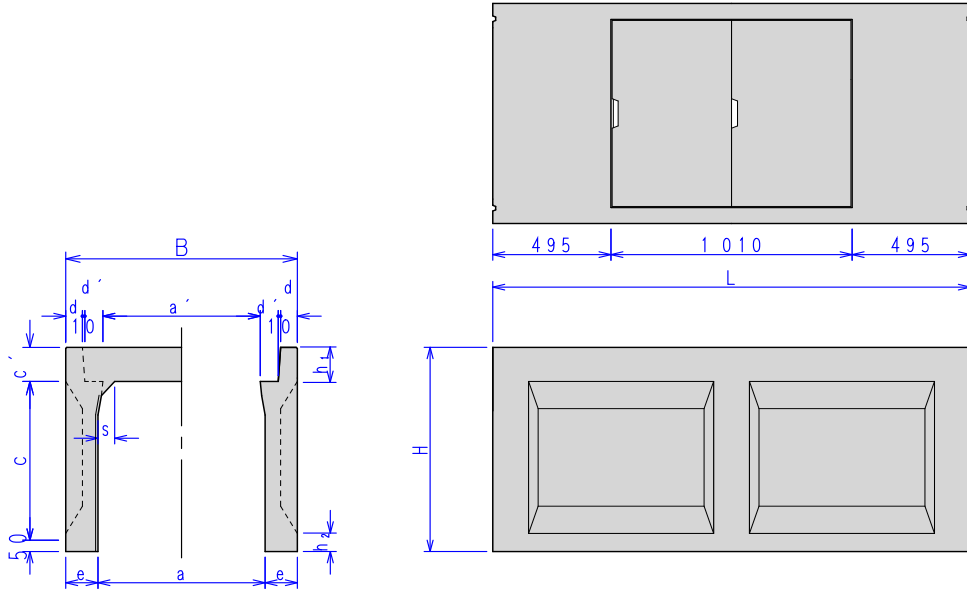


自由勾配側溝(縦断用)

本体 (水路幅700~1000mm)



■寸法・重量

呼び名	寸法 (mm)												参考重量 (kg)										
	B	H	a	a'	c	c'	d	d'	e	h ₁	h ₂	s											
700× 500	970	700	700	670	500	150	70	70	135	150	80	70	935										
600		800			600								1,010										
700		900			700								1,087										
800		1000			800								1,164										
900		1100			900								1,242										
1000		1200			1000								1,320										
1100		1300			1100								1,397										
1200		1400		1200	1,475																		
1300		1500		666	1,557																		
1400		1600			1,635																		
1500		1700			1,713																		
1600		1800			1,790																		
1700		1900			1,868																		
800× 600		1080			810								800	768	600	160	75	71	140	160	80	80	1,120
700					910										700								1,200
800				1010	800										1,279								
900				1110	900										1,361								
1000	1210		1000	1,444																			
1100	1310		1100	1,526																			
1200	1410		1200	1,608																			
1300	1510		1300	1,691																			
1400	1610		764	1,778																			
1500	1710			18,960																			
1600	1810			1,942																			
1700	1910			2,025																			
1800	2010			2,107																			
900× 700	1190			920	900	866	700	170	75	77	145	170		80	90								1,310
800				1020			800																1,400
900			1120	900			1,483																
1000			1220	1000			1,570																
1100		1320	1100	1,657																			
1200		1420	1200	1,744																			
1300		1520	1300	1,831																			
1400		1620	1400	1,918																			
1500		1720	862	2,010																			
1600		1820		2,097																			
1700		1920		2,184																			
1800		2020		2,271																			
1900		2120		2,358																			
1000× 800		1300		1030		1000	964						800			180	80	78	150	180	80	100	1,530
900				1130									900										1,620
1000			1230	1000									1,705										
1100			1330	1100									1,797										
1200	1430		1200	1,889																			
1300	1530		1300	1,980																			
1400	1630		1400	2,072																			
1500	1730		1500	2,164																			
1600	1830		960	2,261																			
1700	1930			2,352																			
1800	2030			2,444																			
1900	2130			2,536																			
2000	2230			2,627																			